

Device owner information

LUDECA, INC.  
 1425 NW 88th STREET  
 MIAMI, FL 33172

File info

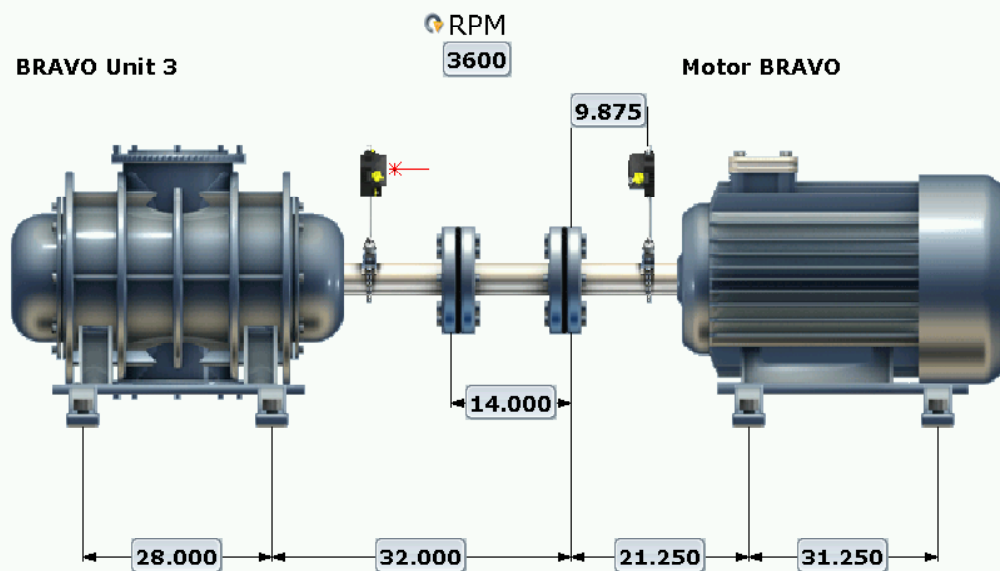
File name: BRAVO Unit 5  
 Directory: Administrator  
               /Dominion  
               /Possum Point  
               /Generator Unit 5  
 Created: 16-2-2011, 12:14:50  
 Last modified: 16-2-2011, 12:14:50  
 Last read: 15-2-2011, 18:39:32  
 Created by: Administrator

Machine train description

Item:	Type:	Name:	Support:
Machine A :	Vacuum pump	BRAVO Unit 3	4 feet
Coupling 1 :	Spacer		
Machine B :	Motor	Motor BRAVO	4 feet

Train overview

Machine A to B :



Machine train dimensions

Machine A : BRAVO Unit 3

Machine length:	46.000	[inch]
Distance from 1 to 2 Feet:	28.000	[inch]

Coupling 1 :

Left diameter:	10.000	[inch]
Right diameter:	10.000	[inch]
Spacer length:	14.000	[inch]
Distance to left machine	32.000	[inch]
Distance to right machine	21.250	[inch]
RPM	3600	RPM

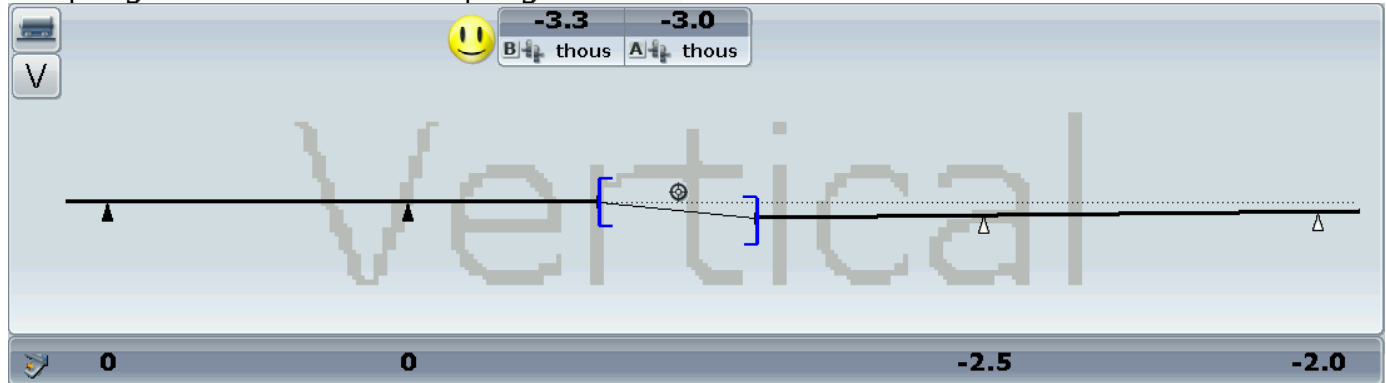
Machine B : Motor BRAVO

Machine length:	52.500	[inch]
Distance from 1 to 2 Feet:	31.250	[inch]

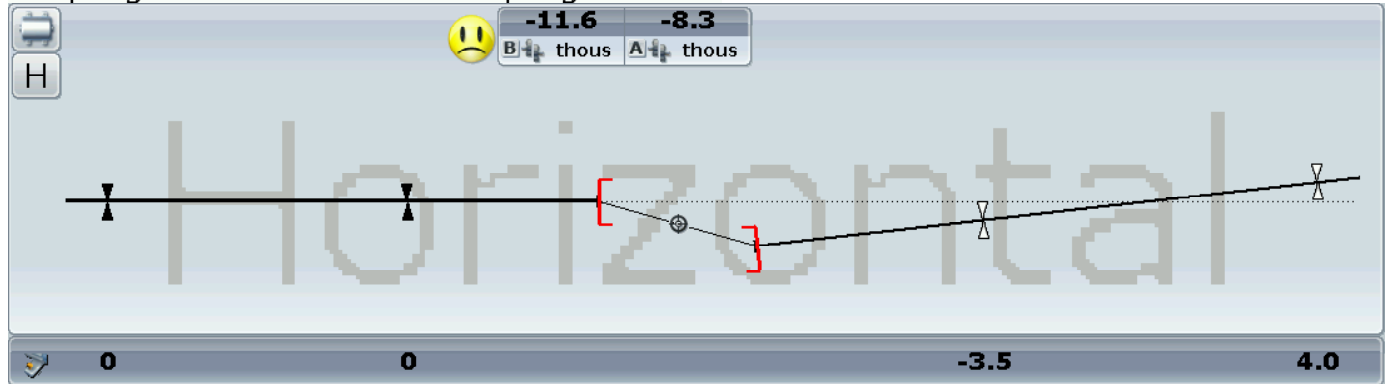
Graphical coupling results

Actual minus specification

Coupling vertical results. Couplings: 1 to 1.



Coupling horizontal results. Couplings: 1 to 1.



Machine train results

**Machine train results**

	Actual - specification:	Actual:	Unit:
Coupling 1 : Results of Multipoint measurement			
Vertical:			
Offset B	-3.3	-19.5	[thous]
Offset A	-3.0	-21.0	[thous]
Horizontal:			
Offset B	-11.6	-11.6	[thous]
Offset A	-8.3	-8.3	[thous]

**Machine train corrections**

	Vertical:	Horizontal:	Unit:
Machine A : BRAVO Unit 3			
Foot 1	0.0	0.0	[thous]
Foot 2	0.0	0.0	[thous]
Machine B : Motor BRAVO			
Foot 1	2.5	3.5	[thous]
Foot 2	2.0	-4.0	[thous]

**Thermal growth**

	Vertical:	Horizontal:	Unit:
Machine A : BRAVO Unit 3 :			
Feet 1 (entered)	15.0	0.0	[thous]
Feet 2 (entered)	2.0	0.0	[thous]
Machine B : Motor BRAVO :			
Feet 1 (entered)	6.0	0.0	[thous]
Feet 2 (entered)	0.0	0.0	[thous]

**Targets**

	Vertical:	Horizontal:	Unit:
Coupling 1 : Spacer			
Offset B	3.0	0.0	[thous]
Offset A	5.0	0.0	[thous]

**Tolerances**

--	--	--	--

Tolerances

Coupling 1 :			
Spacer, tolerance type: Table	Value:	Unit:	
Excellent:			
Offset B	4.2	[thous]	
Offset A	4.2	[thous]	
Acceptable:			
Offset B	7.0	[thous]	
Offset A	7.0	[thous]	

Measurement history

Current measurement (19-10-2009, 8:27:32)

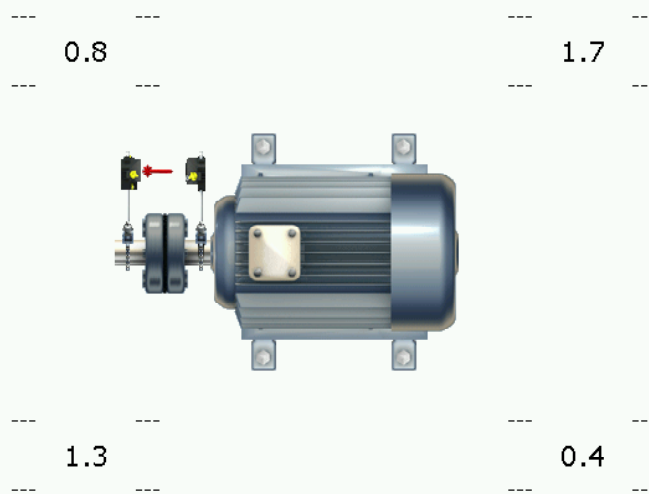
Soft foot measurements

Machine A :  
No soft foot values available

Machine B :  
Measurement 1  
Date 15-2-2011, 18:33:21  
SF Tolerance set to: 2.0. [thous]

[thous]

No soft foot has been found!



Vibration Acceptance Check results

Vibration Acceptance Check results

Train description:

RPM: 3600

No vibration measurements.